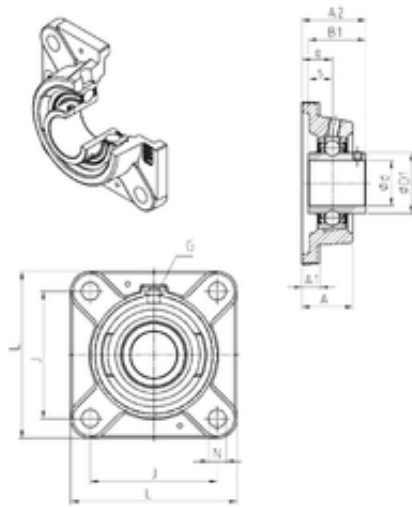




## Duke Axis.



### SNR UCFE206 Unidad De Rodamiento

Bearing No. UCFE206

Bore Diameter	30 mm
d	30 mm
e	20 mm
s	15,9 mm
A	33,5 mm
A1	12 mm
B1	38,1 mm
D1	40,3 mm
J	82,5 mm
L	108 mm
N	11,5 mm
Thread (G)	R1/8"
A2	42,2 mm
Weight	1,2 Kg
Basic dynamic load rating (C)	19,5 kN

UCFE206 Bearing 2D drawings and 3D CAD models