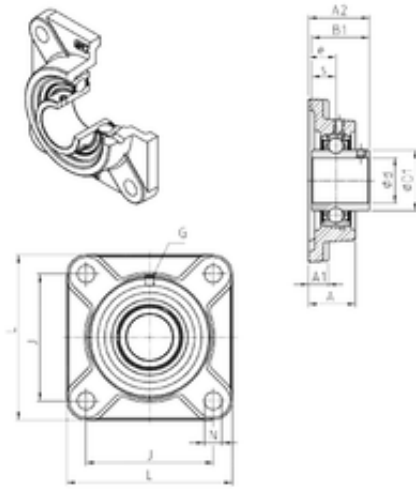




## Duke Axis.

### SNR UCF208 Unidad De Rodamiento

Bearing No. UCF208



UCF208 Bearing 2D drawings and 3D CAD models

Bore Diameter	40 mm
d	40 mm
e	21 mm
s	19 mm
A	36 mm
A1	15 mm
B1	49,2 mm
D1	53 mm
J	102 mm
L	130 mm
N	16 mm
Thread (G)	M6x1
A2	51,2 mm
Weight	1,9 Kg
Basic dynamic load rating (C)	29,6 kN