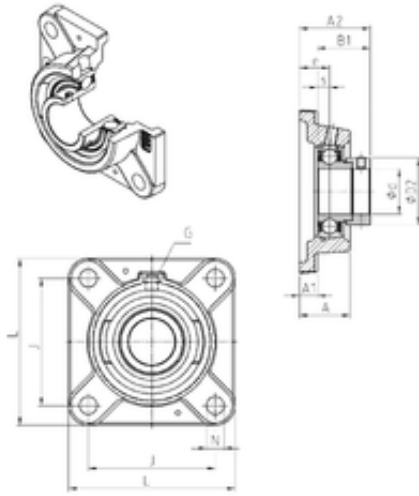




## Duke Axis.

### SNR ESFE203 Unidad De Rodamiento

Bearing No. ESFE203



ESFE203 Bearing 2D drawings and 3D CAD models

|   |          |
|---|----------|
| Bore Diameter                               | 17 mm    |
| d   | 17 mm    |
| e   | 17 mm    |
| s   | 6,5 mm   |
| A   | 31 mm    |
| A1  | 9,5 mm   |
| B1  | 28,6 mm  |
| D2  | 28,6 mm  |
| J   | 54 mm    |
| L   | 76 mm    |
| N   | 11,5 mm  |
| Thread (G)                                  | M6x1     |
| A2  | 39,1 mm  |
| Weight                                      | 0,5 Kg   |
| Basic dynamic load rating (C)               | 9,55 kN  |
| B   | 19.1 mm  |
| d1  | 27.2 mm  |
| G   | R1/8"    |
| s1  | 23.05 mm |
| S   | 6.5 mm   |
| C   | 9.55 kN  |
| C0  | 4.78 kN  |
| T min.                                      | -20 ° C  |
| T max.                                      | 100 ° C  |
| Recommended tightening torque for set screw | 5.5 Nm   |



## Duke Axis.

|                        |         |
|------------------------|---------|
| Designation of housing | FE203-  |
| Designation of bearing | ES203G2 |