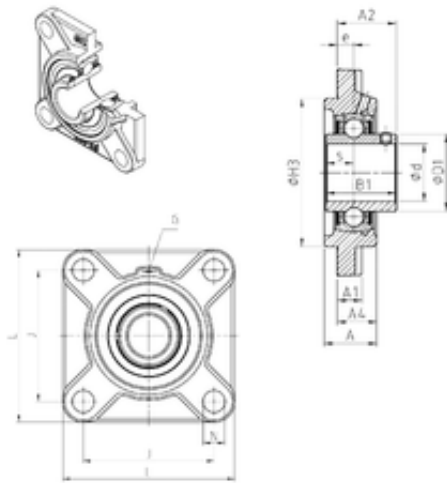




## Duke Axis.

### SNR UCFS312 Unidad De Rodamiento

Bearing No. UCFS312



UCFS312 Bearing 2D drawings and 3D CAD models

Bore Diameter	60 mm
d	60 mm
H3	160 mm
A4	42 mm
e	19 mm
s	26 mm
A	56 mm
A1	22 mm
B1	71 mm
D1	81 mm
J	150 mm
L	195 mm
N	23 mm
Thread (G)	M6x1
A2	64 mm
Weight	7,5 Kg
Basic dynamic load rating (C)	81,6 kN