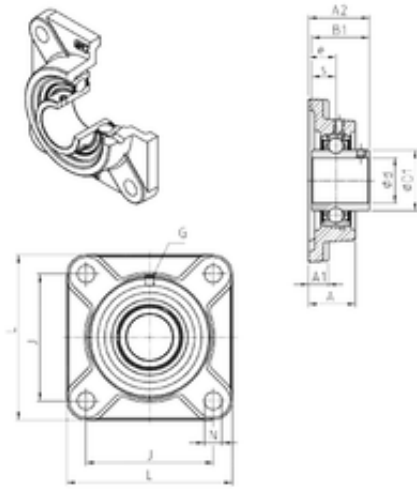




Duke Axis.



SNR UCF205 Unidad De Rodamiento

Bearing No. UCF205

Bore Diameter	25 mm
d	25 mm
e	16 mm
s	14,3 mm
A	27 mm
A1	13 mm
B1	34 mm
D1	34 mm
J	70 mm
L	95 mm
N	12 mm
Thread (G)	M6x1
A2	35,7 mm
Weight	0,8 Kg
Basic dynamic load rating (C)	14 kN

UCF205 Bearing 2D drawings and 3D CAD models