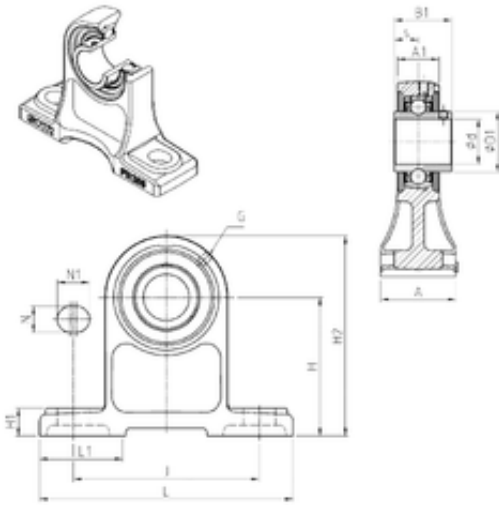




Duke Axis.

SNR UCPH210 Unidad De Rodamiento

Bearing No. UCPH210



UCPH210 Bearing 2D drawings and 3D CAD models

Bore Diameter	50 mm
d	50 mm
s	19 mm
A	70 mm
A1	36 mm
B1	51,6 mm
D1	61,8 mm
H	110 mm
H1	22 mm
H2	165 mm
J	159 mm
L	206 mm
L1	65 mm
N	20 mm
N1	25 mm
Thread (G)	M6x1
Weight	3,6 Kg
Basic dynamic load rating (C)	35,1 kN
B	51.6 mm
G	M6x1
s1	25.8 mm
S	19 mm
C	35.1 kN
C0	23.2 kN
T min.	-20 ° C
T max.	100 ° C



Duke Axis.

Recommended tightening torque for set screw	22 Nm
Designation of housing	PH210-
Designation of bearing	UC210G2