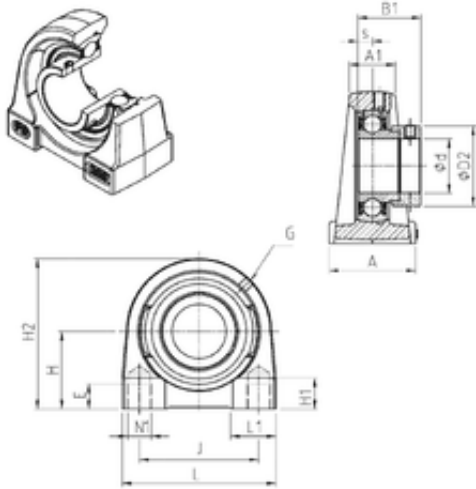




Duke Axis.



SNR ESPG211 Unidad De Rodamiento

Bearing No. ESPG211

Bore Diameter	55 mm
d	55 mm
s	12 mm
A	60 mm
A1	34 mm
B1	48,4 mm
D2	76,2 mm
E	25 mm
H	63,5 mm
H1	25 mm
H2	126 mm
J	100 mm
L	140 mm
L1	40 mm
Thread (G)	M6x1
Thread (N1)	M16
Weight	3,2 Kg
Basic dynamic load rating (C)	43,55 kN

ESPG211 Bearing 2D drawings and 3D CAD models