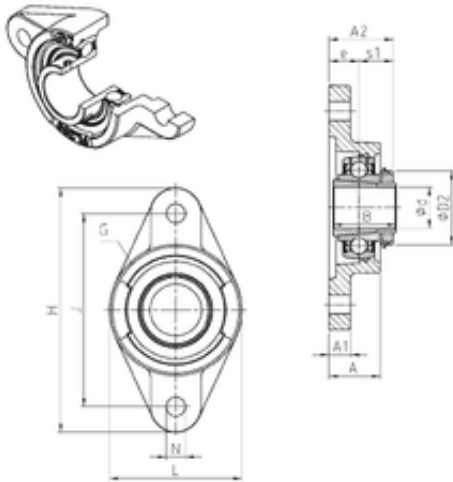




Duke Axis.



SNR UKFL319H Unidad De Rodamiento

Bearing No. UKFL319H

Bore Diameter	85 mm
d	85 mm
e	59 mm
s1	52 mm
A	94 mm
A1	40 mm
B	90 mm
D2	125 mm
H	405 mm
J	330 mm
L	250 mm
N	41 mm
Thread (G)	M10x1
A2	111 mm
Weight	21,6 Kg
Basic dynamic load rating (C)	156 kN

UKFL319H Bearing 2D drawings and 3D CAD models