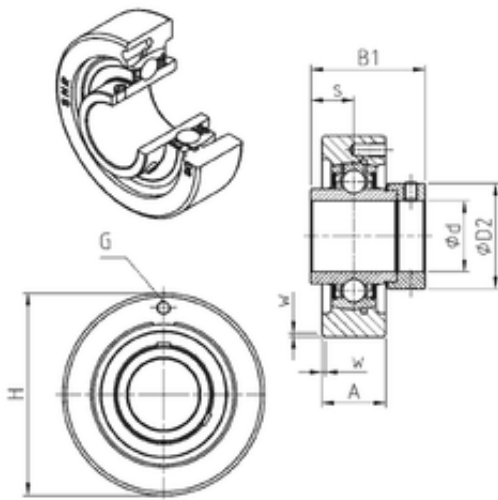




Duke Axis.

SNR EXC308 Unidad De Rodamiento

Bearing No. EXC308



EXC308 Bearing 2D drawings and 3D CAD models

Bore Diameter	40 mm
d	40 mm
s	19,8 mm
A	34 mm
B1	57,1 mm
D2	63,5 mm
H	120 mm
W	3 mm
Thread (G)	M6x1
Weight	2,2 Kg
Basic dynamic load rating (C)	40,56 kN