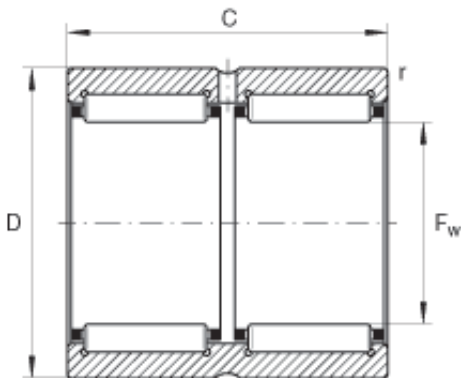




Duke Axis.

INA RNA6908-ZW Rodamientos De Agujas

Bearing No. RNA6908-ZW



RNA6908-ZW Bearing 2D drawings and 3D CAD models

Size	48x62x40 mm
Bore Diameter	48 mm
Outer Diameter	62 mm
Width	40 mm
F_w	48 mm
D	62 mm
C	40 mm
r_{min}	0,6 mm
m	256 g / Weight
C_r	74000 N / Dynamic load rating (radial)
C_{0r}	116000 N / Static load rating (radial)
C_{ur}	19400 N / Fatigue limit load, radial
n_G	9200 1/min / Limiting speed
n_B	5100 1/min / Reference speed
Category	Roller Bearings
Inventory	0.0
Manufacturer Name	SCHAEFFLER GROUP
Minimum Buy Quantity	N/A
Weight / Kilogram	0
Product Group	B04144